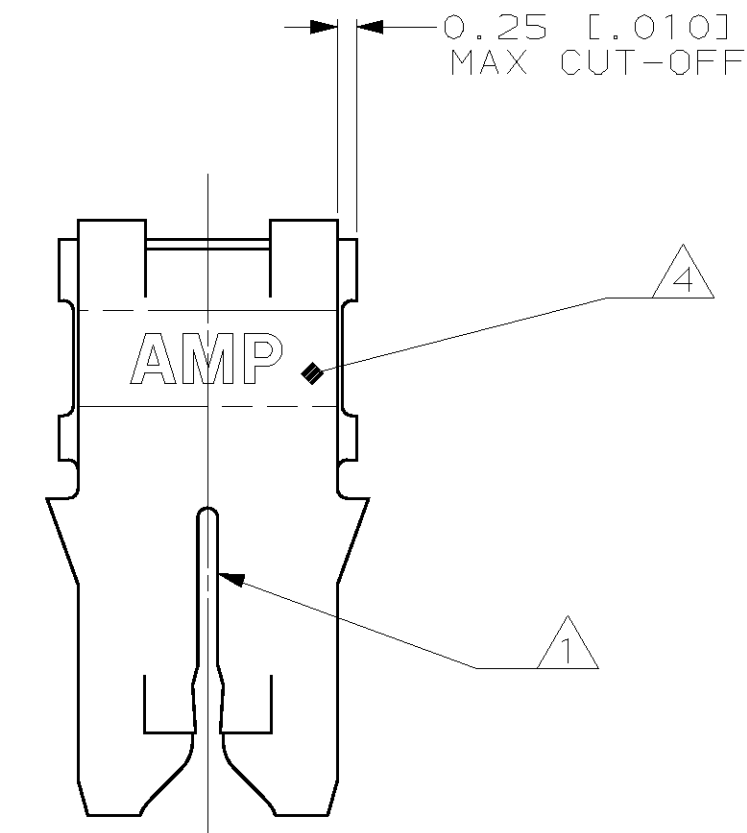
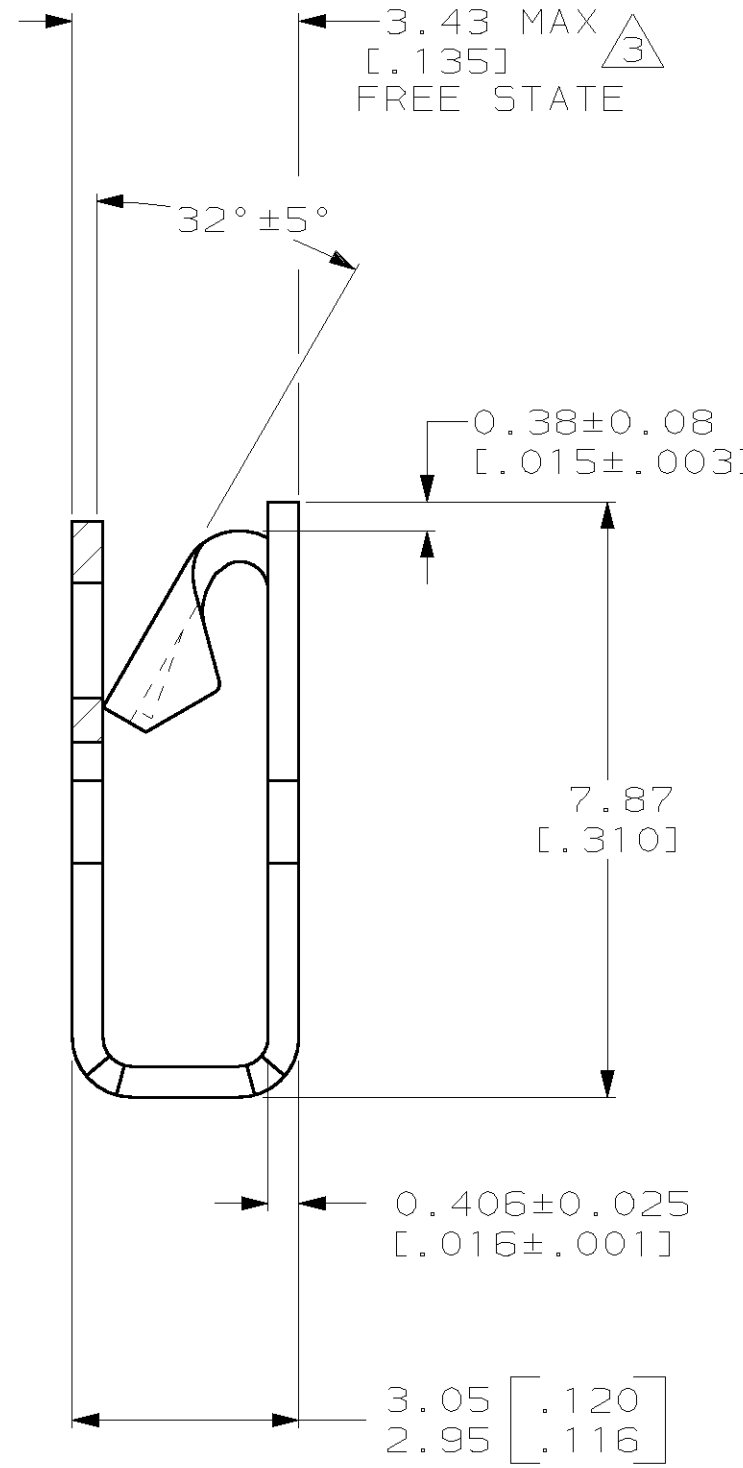
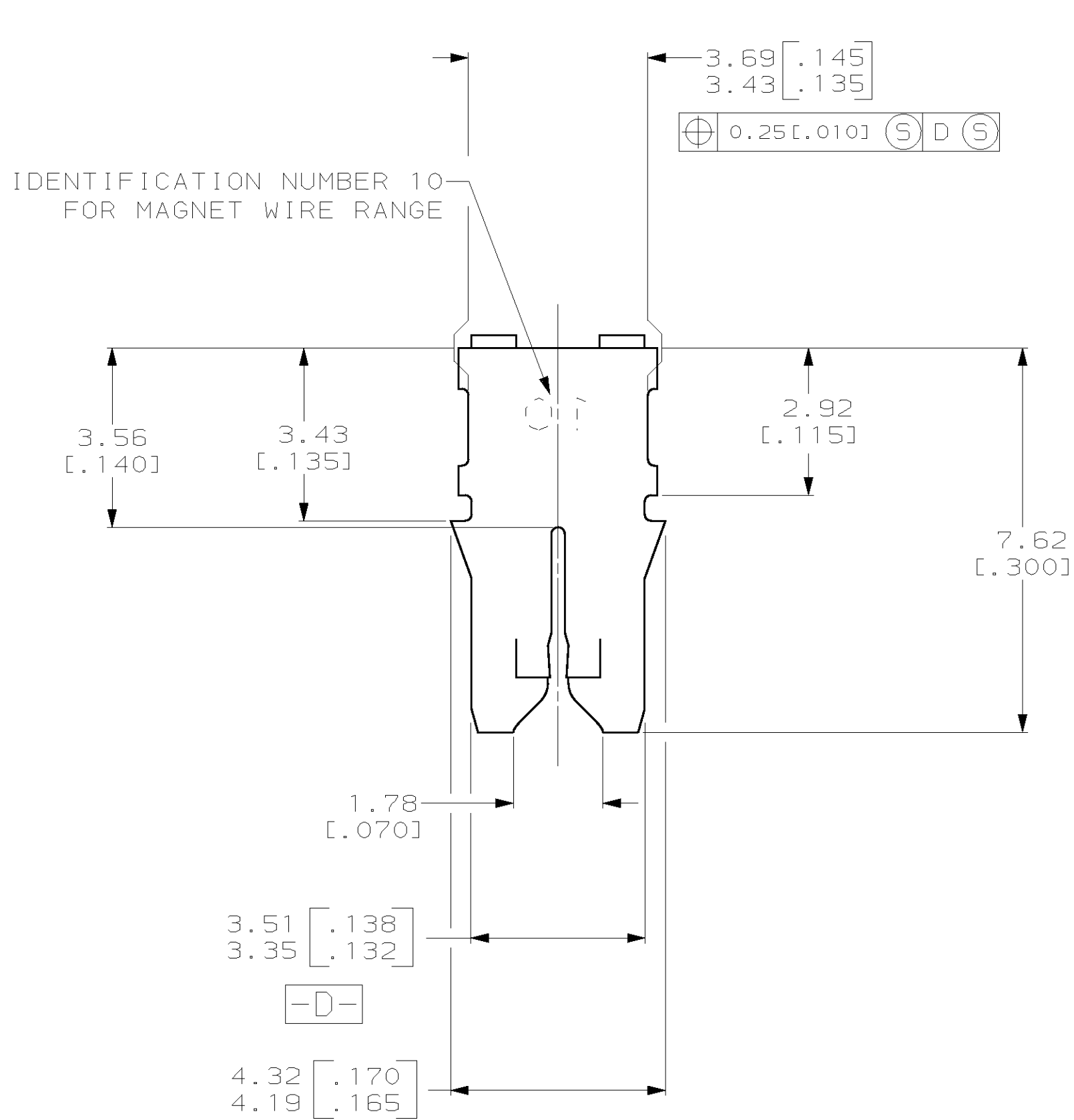
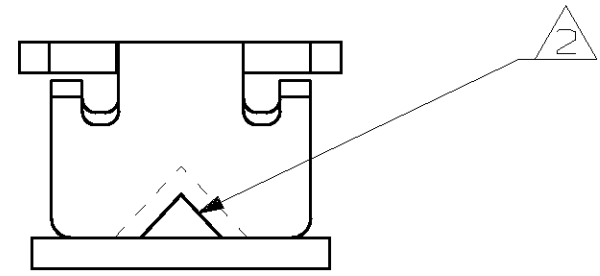


THIS DRAWING IS UNPUBLISHED. RELEASED FOR PUBLICATION
 BY AMP INCORPORATED. ALL RIGHTS RESERVED.

LOC		DIST		REVISIONS			
P	LTR	DESCRIPTION		DATE	DWN	APVD	
AF	50	0		DRAWN PER OL10-0505-97	08JAN98	MF	NN

- ① SLOT ACCEPTS 0.36-0.57mm [#27-#23] AWG COPPER MAGNET WIRE. A SINGLE WIRE ONLY.
- ② POKE-IN ACCEPTS A 0.50-0.90mm² [#20-#18] AWG SOLID OR FUSED STRANDED LEAD WIRE.
- ③ DIMENSION APPLIES WITH LEAF EDGE TOUCHING CARRIER SIDE OF BOX.
- ④ RED COLOR STRIPE APPLIED TO THIS SURFACE DURING LOOSE PIECE OPERATION TO PROVIDE COLOR CODING OF MAGNET WIRE RANGE.



63044-1
PART NO.

THIS DRAWING IS A CONTROLLED DOCUMENT.		DWN MICHAEL S. FEHER 13NOV97	AMP Incorporated Harrisburg, PA 17105-3608	
DIMENSIONS: mm [INCHES]		CHK JEFF R. RUTH 09JAN98	NAME TERMINAL, POKE-IN, LOOSE PIECE, MAG-MATE™	
TOLERANCES UNLESS OTHERWISE SPECIFIED:		APVD NELSON E. NEFF 13JAN98	PRODUCT SPEC 108-2012	
0 PLC ±-		APPLICATION SPEC 114-2046		
1 PLC ±-		SIZE A2		
2 PLC ±0.25 [.010]		CAGE CODE 00779		
3 PLC ±-		DRAWING NO 63044		
4 PLC ±-		RESTRICTED TO -		
ANGLES ±-		SCALE 10:1		
MATERIAL 4M BRASS		WEIGHT -		
FINISH 0.002032 [.000080] MIN TIN PER MIL-T-10727		SHEET 1 OF 1		
CUSTOMER DRAWING		REV 0		